

PORTABLE BASEBALL BACKSTOP

ITEM	DESCRIPTION	QTY	PART #	
A	190" TUBES - 5 PIECES	1 SET (5)	ZBS4CRS	
B	RIGHT SIDE ASSEMBLY	1 EA	ZBS4RHT	
C	LEFT SIDE ASSEMBLY	1 EA	ZBS4LFT	
D	TRANSPORT DOLLEY	1 EA	ZBSDOLLEY	
F	NET	1 EA	1197518	
G	32" TUBES - 4 PIECES	1 SET (4)	ZBS4432X	
H	126" UPRIGHT L-SHAPE TUBE	2 EA	ZBS4UPRT	
I	101" UPRIGHT L-SHAPE TUBE	2 EA		
J	65" UPRIGHT L-SHAPE TUBE	2 EA		
K	54" BRACE TUBE	2 EA	ZBS4RIS	
L	69" BRACE TUBE	4 EA		
M	LOCKING COLLARS	16 EA	ZX1450009	ZBS4HDW
N	LOCK NUT 5/8"	2 EA	Z060625NLN	
O	FLAT WASHER 5/8"	2 EA	Z070062FCW	
P	HEX KEY 3/16"	1 EA	Z031187HEX	
Q	HEX KEY 5/32"	1 EA	Z031156HEX	
R	HEX KEY 5 MM	1 EA	ZX3800005	
S	NYLON TIE WRAPS 11"	100 EA	ZX3900011	
T	T-FITTINGS	24 EA	ZX1450002	
U	HEX BOLT 5/8" X 6.5"	2 EA	Z041625650	
V	SHAFT COLLAR 5/8"	2 EA	Z037062COL	
DG	16" WHEEL	3 EA	ZX2800006	ZBSWHEEL

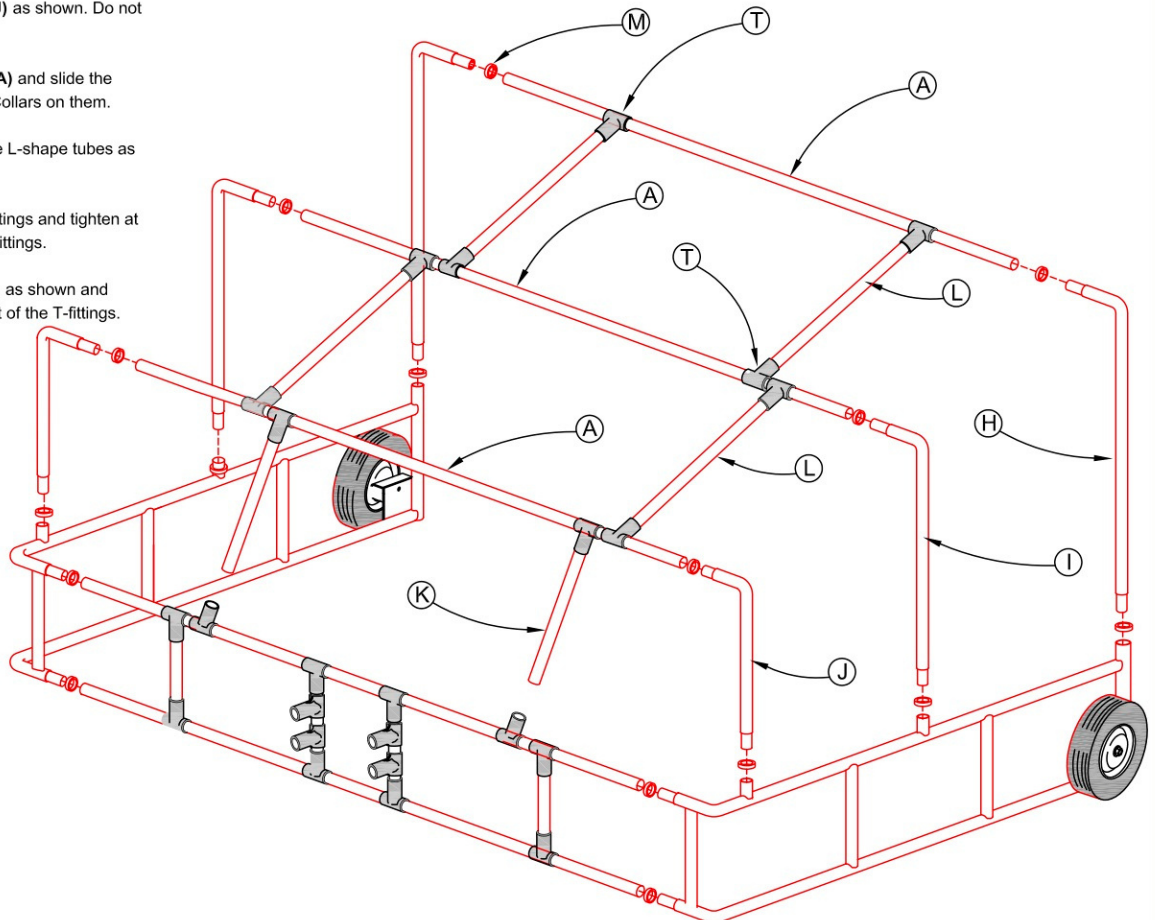


BaseballTurtles.com
 coach@baseballturtles.com
 Phone: 828-820-8644

PORTABLE BASEBALL BACKSTOP

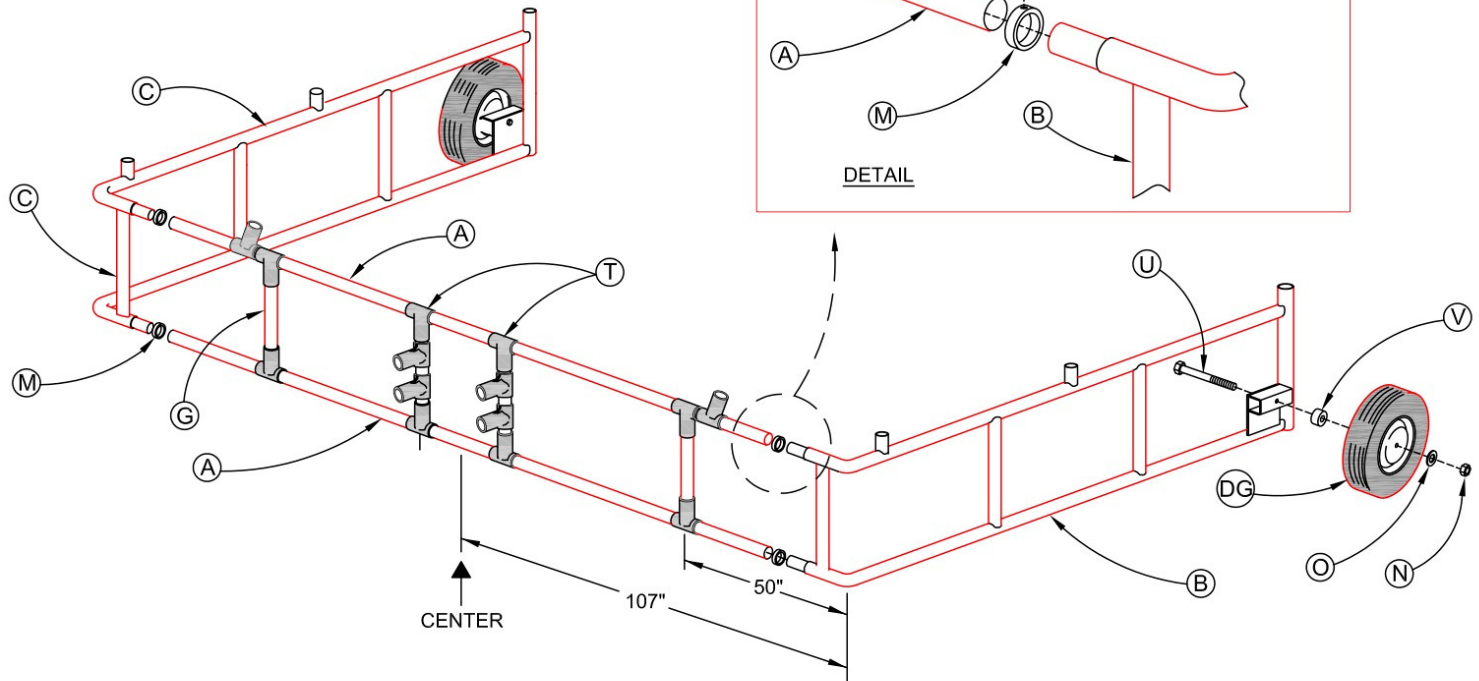


- Attach Rear Wheel and Transport Dolly as shown in **Backstop Transport Dolly** instructions. You can now tighten all the fittings on Back Section.
- Place the 6 L-shaped tubes (**ITEMS H, I, J**) as shown. Do not tighten Collars at this time.
- Take the remaining 3 - 190" tubes (**ITEM A**) and slide the required amount of T-fittings and locking Collars on them.
- Using a ladder attach the 190" tubes to the L-shape tubes as shown.
- Insert the 54" tubes (**ITEM K**) into the T-fittings and tighten at this time. **NOTE:** The placement of the T-fittings.
- Insert the 4 - 69" (**ITEM L**) into the T-fitting as shown and tighten at this time. **NOTE:** The placement of the T-fittings.



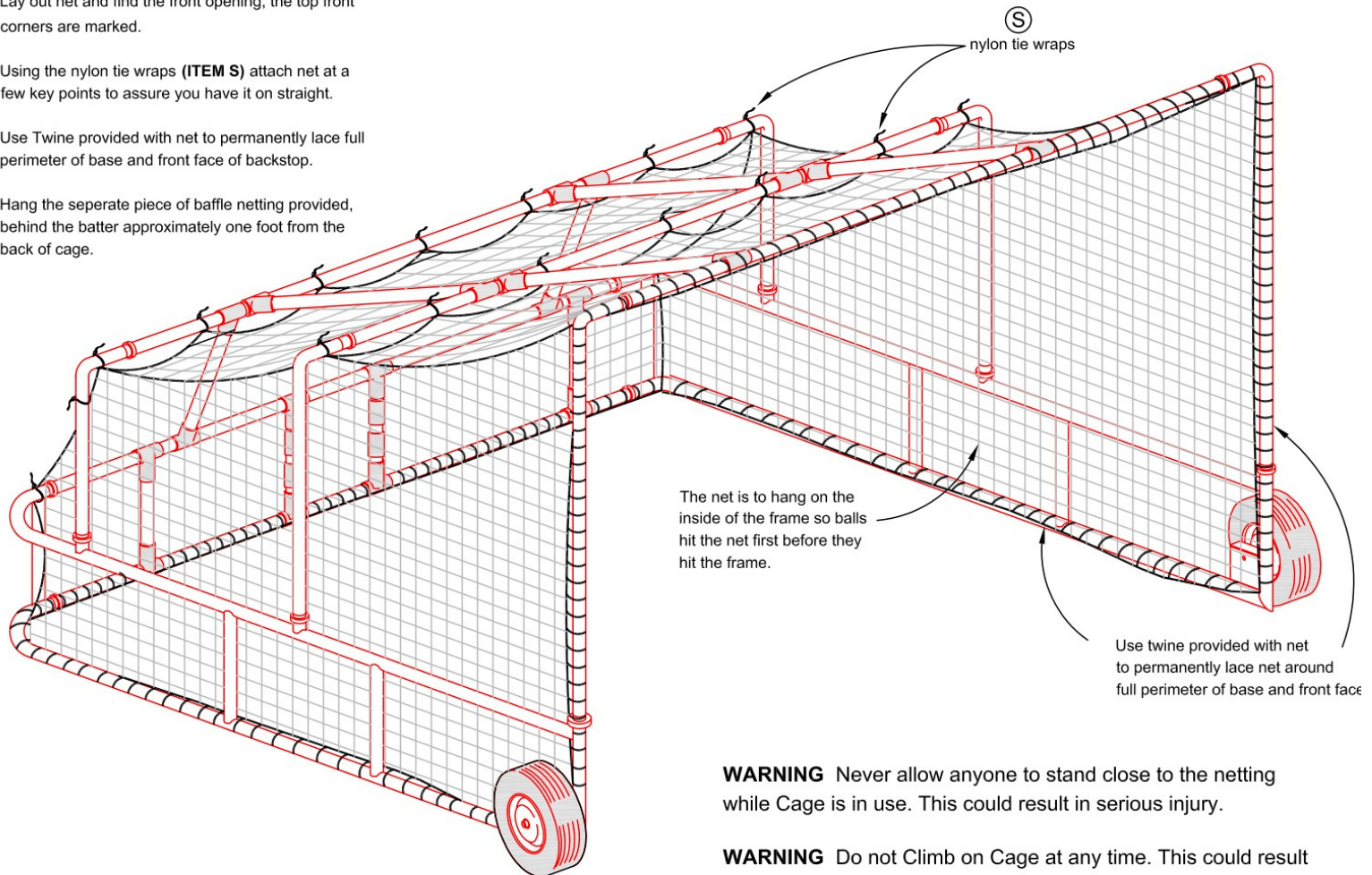
STEP #1

- On level ground assemble the Back Section using 2 - 190" tubes (ITEM A), 14 - T-fittings (ITEM T), 4-32" tubes (ITEM G) and 4 - Locking Collars (ITEM M) as shown. Do not tighten T-fittings at this time.
- Now attach Side Assemblies (ITEMS B, C) to the Back Section as shown.
- Attach Front Wheels (ITEM DG) as shown.



STEP #3

- Lay out net and find the front opening, the top front corners are marked.
- Using the nylon tie wraps (ITEM S) attach net at a few key points to assure you have it on straight.
- Use Twine provided with net to permanently lace full perimeter of base and front face of backstop.
- Hang the separate piece of baffle netting provided, behind the batter approximately one foot from the back of cage.



WARNING Never allow anyone to stand close to the netting while Cage is in use. This could result in serious injury.

WARNING Do not Climb on Cage at any time. This could result in serious injury or damage to Cage.