

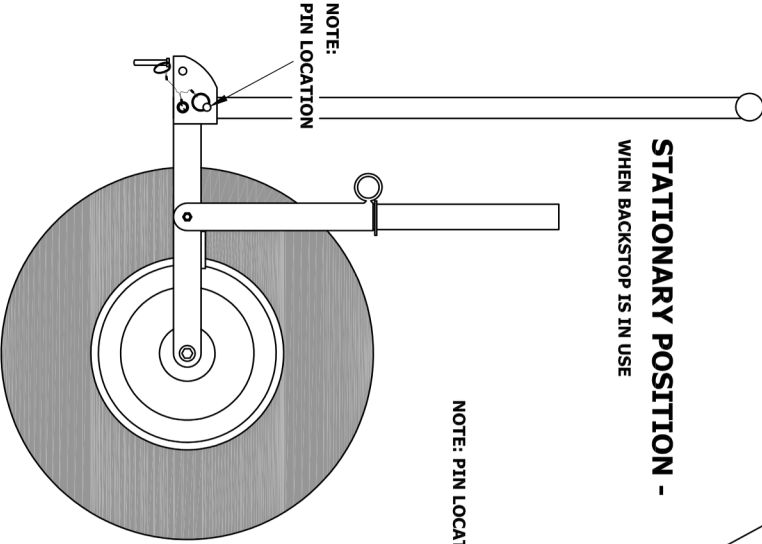


TRANSPORT DOLLEY USAGE

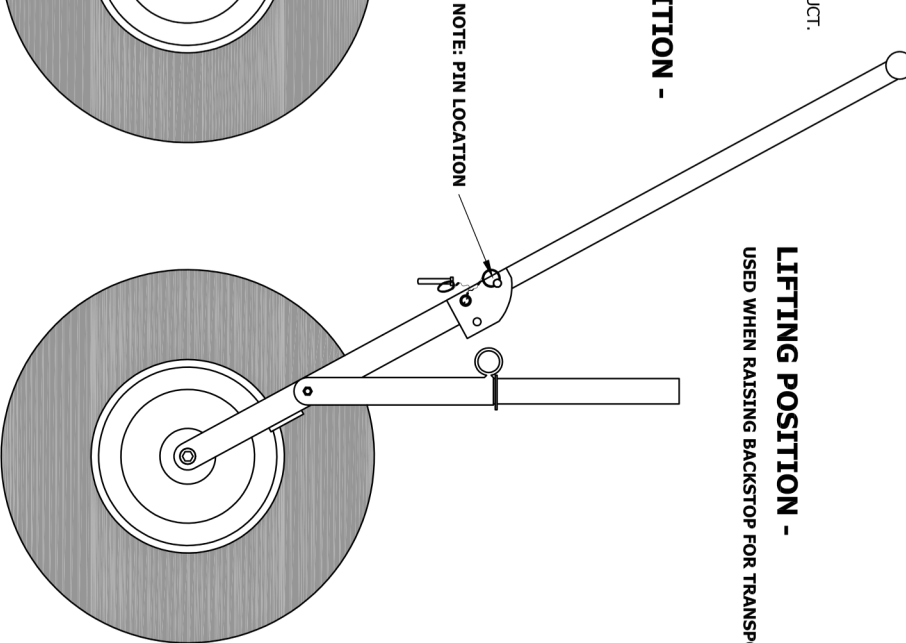
- STEP 1)** HOLD HANDLE WHILE REMOVING PIN FROM "STATIONARY POSITION" LOWER HANDLE TO THE "LIFTING POSITION" AND INSERT PIN.
- STEP 2)** LIFT HANDLE TO THE "TRANSPORT LOCKING POSITION" AND INSERT THE SECOND PIN. YOU ARE NOW READY TO SAFELY TRANSPORT YOUR BACKSTOP TO DESTINATION.
- STEP 3)** WHEN DESTINATION IS REACHED: WHILE KEEPING A FIRM GRIP ON HANDLE REMOVE PIN FROM "TRANSPORT LOCKING POSITION" AND SLOWLY LOWER BACKSTOP TO A RESTING POSITION.
- STEP 4)** NOW RETURN HANDLE TO THE "STATIONARY POSITION" AND INSERT PIN.

CAUTION
THIS TRANSPORT DOLLEY IS LIFTING A LARGE AMOUNT OF WEIGHT AND SHOULD BE USED BY ADULTS ONLY. MANUFACTURE IS NOT RESPONSIBLE FOR MISUSE OF THIS PRODUCT.

STATIONARY POSITION - WHEN BACKSTOP IS IN USE



LIFTING POSITION - USED WHEN RAISING BACKSTOP FOR TRANSPORT



▲ IMPORTANT ▲
DO NOT PUSH DOWN ON T-HANDLE TO TRANSPORT BACKSTOP. LIFT HANDLE TO TRANSPORT.

TRANSPORT LOCKING POSITION - USED WHEN TRANSPORTING BACKSTOP

